

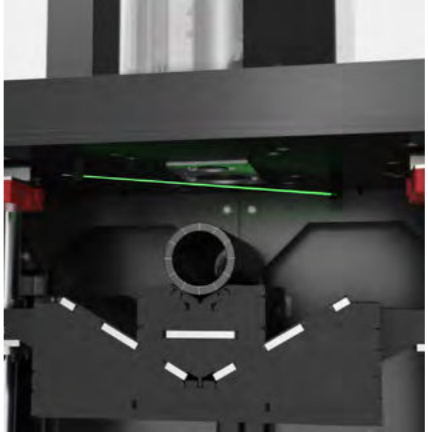
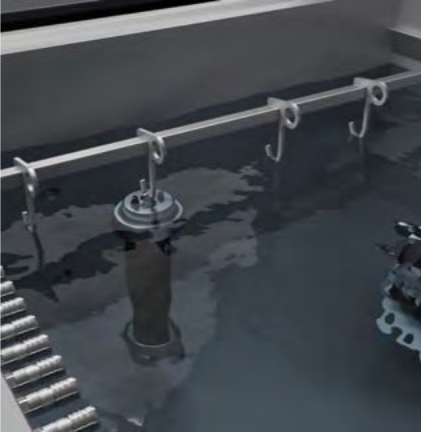
SCITEQ

QUALITY TEST EQUIPMENT



EXPERTS IN PIPE TESTING
We help you perform even better

SCITEQ
QUALITY TEST EQUIPMENT



Providing comfort
in product quality,
through state-of-
the-art testing
equipment

ABOUT US

Made in Denmark since 1966

With more than 50 years' experience, SCITEQ A/S is one of the world's leading specialists in process control and test equipment for the plastic pipe industry. We adapt to the ever changing demands and requirements in the international testing standards.

Our solutions are in-house engineered, manufactured and installed by SCITEQ Denmark.

WHAT WE DO

Shaping the future in testing equipment

Our global customers are the industry leaders and the local specialized manufacturers of pipes & fittings, the raw material suppliers as well as the independent and national test institutes. We help our customers in all aspects – when planning a complete turnkey laboratory or extending the test lab with a single product.

Working closely together with our highly skilled customers inspire us to continuously develop solutions that optimizes test procedures and enables our customers to perform even better.

We acknowledge the importance of moving forward and being innovative and we take pride in providing our customers with the most durable and future-proof solutions in the market. The way we put it: "The best way to predict the future is to invent it"

ABOUT US

Local focus with global orientation

SCITEQ is represented in more than 40 countries around the globe. Our network of experienced agents assists our customers locally in close cooperation with the SCITEQ project team. Together we identify the correct solution suitable to the needs of our customers and according to the local standards.



ABOUT US

In-house Engineering

In-house R&D

Our in-house R&D team of engineers focus is to further develop SCITEQ solutions to optimize use and ensure sustainability and cost efficiency. Our R&D team and technicians work closely together with our customers and partners on larger projects to ensure the best output of their test solutions.

Highest standards

Our hardware and software is manufactured in Denmark and by our close partners. Every part undergoes thorough quality inspection at the SCITEQ HQ ensuring the final product adhere to the highest standards. All shipments are carefully packed for world wide distribution by truck, sea and air.

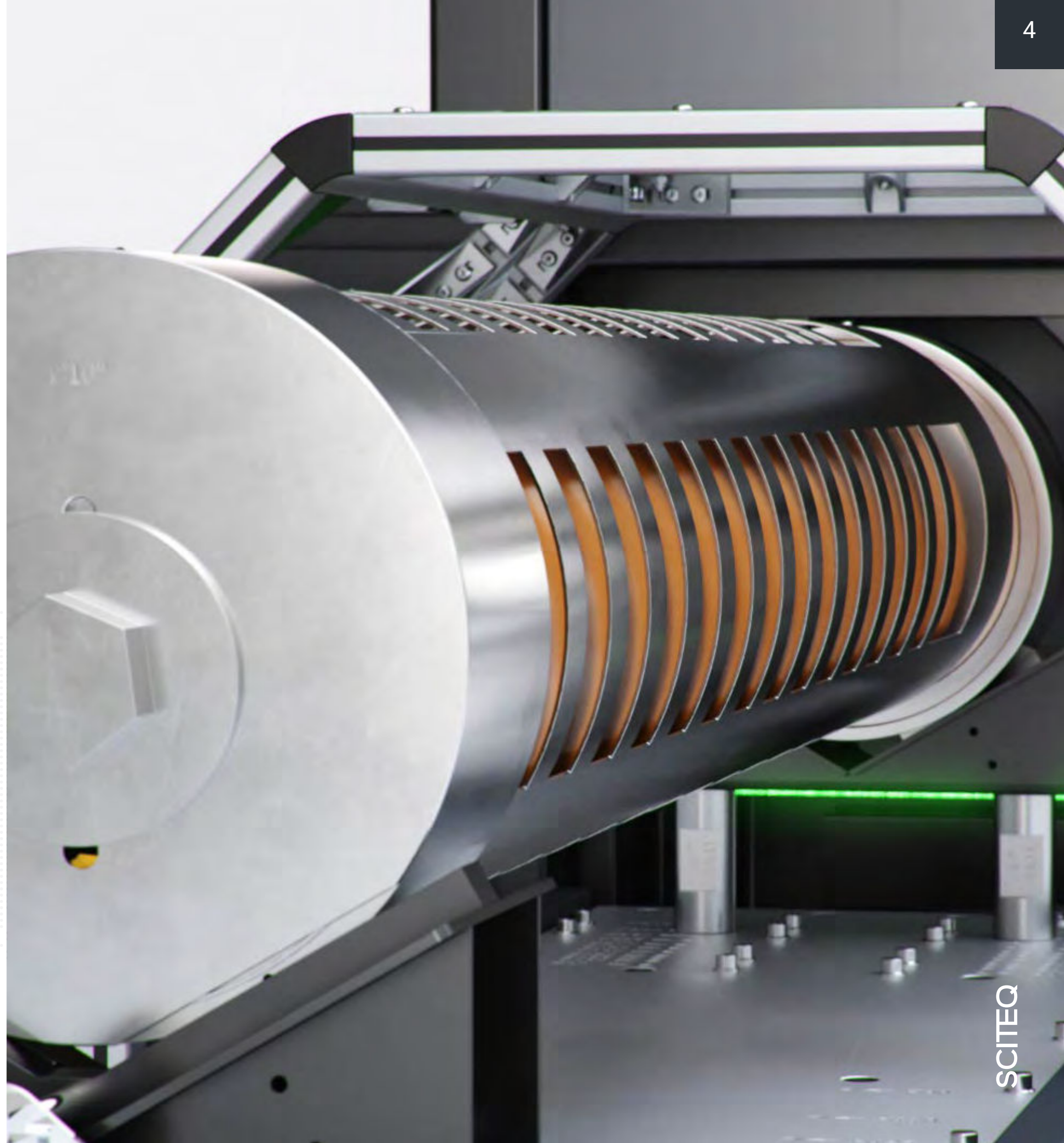
SERVICE & SUPPORT

Excellence in service

Service & support

Your personal contact with us does not end with the commissioning of your test equipment. We also care about the operation of your solution. We want to ensure optimal up-time based on preventive maintenance and efficient problem solving. You will achieve higher efficiency, high test reliability and a long life-time on your equipment.

We believe service is the key to a fruitful and long lasting cooperation.



WHAT WE DO

Helping you perform even better

We make sure you get accurate and reliable test results as easy and cost-efficiently as possible. You can rely on your SCITEQ equipment is up and running - all the time. Your performance is our concern.

- **A wide range of quality products**

We supply complete laboratory solutions or single products in the scope of Pipe & fitting testing, Raw material testing and Preparation for testing

- **Cost-efficient testing**

We provide you with the tools to manufacture according to the highest standards, while at the same time helping you to do so as cost-efficiently as possible.

- **360° service**

You will achieve higher efficiency, high test reliability and a long life-time on your equipment. The SCITEQ service engineers perform global on-site commissioning and training, on-site & on-line support as well as yearly calibration and maintenance visits.

A simple process

Our team of experienced project managers and engineers will help you get there in only three steps.

We make it simple for you.



Analyzing the need

Determine the scope



Delivering the solution

Building the equipment



Installing the equipment

Commissioning & training





SOFTWARE

Industry 4.0

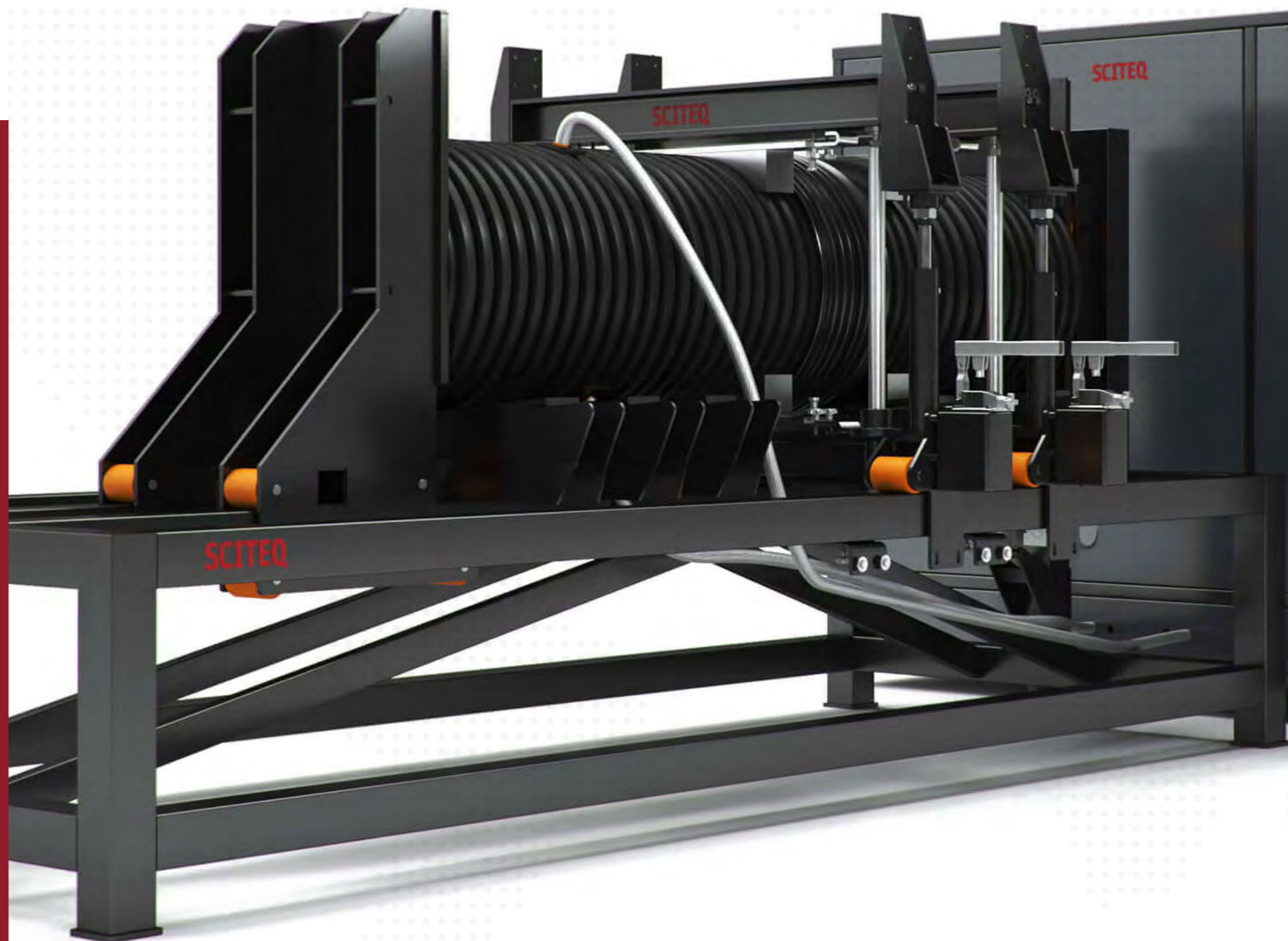
SCITEQ test solutions consists of both hardware and software ensuring delivery of reliable test data. Our solutions are helping our customers prepare for IoT and Industry 4.0. We are developing cloud based communication with both online and local data storing according to our customers preferences.

New generation of quality testing

Our latest software development - the SIGMA testing software allows for easy and safe operation. Quick-to-set-up recipes as well as highly configurable report settings and compatibility with all servers & OPC UA, enabling comprehensive analysis options.

“We provide our customers with a new and revolutionary approach to the operation of quality testing”.

Dennis Damborg, SCITEQ CEO



LEAK TIGHTNESS TESTER - LTT



WHAT WE DO

SUSTAINABLE SOLUTIONS

In order to provide the best solutions for our customers, we work together with carefully selected ISO certified subcontractors primarily in Denmark and Europe, who also commits their focus on sustainable designs and using high-quality components and materials. This is not only beneficial for the environment but also reflects a commitment to creating long-lasting and reliable products.



THERMAL CYCLIC TESTER

SIGMA HIGH PRESSURE TEST

Up to 1500 bar

50+ years of research & experience is brought to use in this unique & proven technology - guaranteeing you can perform high pressure testing up to 1500 bar.

The unique software & valve solutions enables the most stable and linear high pressure regulation in the market.

The SIGMA High pressure system designed for determining the resistance to high internal pressures on pipes, fitting and any other application requiring high pressure testing up to 1500 bar and 8,5 l/min with an unparalleled of 0,5%.



Unique & proven

50+ years of research



High pressure testing

Up to 1500 bar



Stable & linear

Most accurate on the market

SIGMA HIGH PRESSURE SYSTEM

Pipe & fitting test



- **Pressure Test**
Large range of modular airless pressure systems for all types of pressure test, static, dynamic, burst, high pressure up to 1500 bar as well as high capacity test. Unparalleled accuracy no matter the size of sample. For testing according to a long list of standards i.a. ISO 1167, EN 12 293, ASTM D1598 & 99.
- **Impact Test**
Unique frictionless impact tester developed specifically for plastic pipe producers. For safe staircase and round-the-clock tests of pipe diameters up to 2000mm. For testing according to ISO 3127, EN 744, EN 1411 and ASTM D 2444.
- **Leak Tightness Test**
The most durable and robust solution for testing joints of buried plastic pipe systems. Reliable test results of up to Ø1600 mm – even larger pipe dimensions on request. For testing according to EN1277.
- **Rapid Crack Propagation Test**
Unique drive ensuring uncompromized accuracy and guaranteed speeds of up to 15,0 meters per second and unparalleled accuracy of +/- 0,1 meter per second. For testing according to ISO 13477.
- **Compression, Ring stiffness, Tensile test, bending test**
High-end universal testing machines offers a wide range of test used in the plastics industry. According to a large variety of international standards i.e. ISO 527, ISO 6259, ISO 9967, ISO 9969, ASTM D 638.

Raw material test



Analyze and determine the correct quality of the raw material to ensure end product capabilities with the wide range of high-end equipment including tests DSC, MFR, MVR, density, OIT etc.

- **DSC & OIT Test**
Determining OIT (Oxidation Induction Time) for polyolefin materials by means of the DSC (Differential Scanning Calorimetry). According to EN 728, ISO 11 357-6.
- **MFI, MFR, MVR, Test**
High accuracy testing of melt flow index, melt volume flow rate and melt mass-flow rate of a wide range of thermoplastic raw materials (granulate). According ISO 4427, BS 2782, ISO 1133 and ASTM 1238 and equivalent.
- **Density Test**
bulk density tester determines the apparent density i.e. the mass per unit of volume with accuracy of 0,1g. According to ISO R 60, ASTM D 1895 method A & B.
- **Carbon Black**
Precise determination of carbon black content in olefin materials like polyethylene or polypropylene that do not contain non-volatile additives or fillers. According to ASTM D 1603, ISO 18553 and ISO 6964.

Preparation

To ensure optimal testing and reliable results the preparation equipment is vital. The standard preparation product range consists of a.o. laboratory saws, mounting machine for large end caps, CNC milling machines, notch millers, conditioning tanks, chambers and ovens.

- **Laboratory pipe saw**
 Cutting and chamfering pipes in one for a faster, safer and more precise cut. Lab saw for pipes from Ø32 mm up to Ø660 mm and larger on request.
- **End Closure Mounting Machine**
 Optimizing the preparation of large diameter pipe samples. Saving time and cost on mounting and de-mounting large end caps.
- **CNC Copy Milling Machine.**
 Three axes CNC for preparing plastic pipe samples ("dumbbell" "dogbone" specimens) for a.o. tensile tests and elongation tests.
- **Notch Milling Machine**
 Second to none in precision when preparing pipe samples for the notched stress crack resistance test.
- **Test Tanks & Ovens**
 Accurate conditioning of any type of sample at uniform temperatures from 0 to 95° degrees. Large range of standard ovens and conditioning chambers for any sample diameter and volume.



Software

SCITEQ test solutions consists of both hardware and software ensuring delivery of reliable test data. Our solutions are helping our customers prepare for IoT and Industry 4.0. We are developing cloud based communication with both online and local data storing according to our customers preferences.

- **New generation of test software**
 The latest development in software for testing allows for easy and intuitive operation. Quick-to-set-up recipes as well as optimized real time monitoring & logging.
- **User friendly interface**
 The advantages of the new generation of quality test equipment include optimized control, greater efficiency in testing and improved data analysis.
- **Remote access**
 SCITEQ's browser-based software is accessible from any device – any time, anywhere.





SIGMA modular pressure test system

- Up to 50 pressure stations in one cabinet
- Test tank available in many sizes



SIGMA browser-based user interface is accessible from any device - any time, anywhere.



liteSERIES pressure test system for smaller layouts

- liteTEST Tank with small footprint 115x75cm
- liteFIVE pressure unit with 5 stations
- burstONE unit with 1 station dedicated short term test

TEST TANKS

Low energy consumption

The advanced thermal insulation and innovative lid de-sign of the SCITEQ thermo test tanks effectively minimize energy consumption by significantly reducing heat loss, while also eliminating any risk of hot surfaces. The combination of efficient insulation, heating elements and circulation pumps ensures a consistent and uniform temperature is maintained.

OUR SOLUTIONS

Experts in pressure testing

The SCITEQ pressure test system emphasizes on accuracy, user-friendliness and comprehensive analysis capabilities. Expect precise and easy control over the testing process, easy configuration of testing parameters through the recipe system, and guaranteed reliable and valuable test results of each test.

Complying with international test standards:

- Long/short term pressure testing
- Burst testing
- High Capacity pressure testing
- High pressure testing up to 1500 bar/psi
- From 5 to 50 pressure outlets in one unit

ONE SOFTWARE FOR ALL TESTS

SIGMA software

The intuitive browser-based user interface is accessible from any device - any time, anywhere. The extremely easy-to-use interface enables easy control and overview of few as well as many simultaneous tests.

The advantages are among other

- One software for all tests
- Extremely easy to use
- Fast & easy recipe set-up
- Language options
- Un-paralleled accuracy
- SQL database compatible with all kind of servers & OPC UA
- SIGMA software applies for a range of SCITEQ equipment
- OPC UA & IoT prepared

SECURE REMOTE ACCESS

It is possible to update and service remotely via the internal Ethernet and/or external web access. The encrypted VPN and integrated firewall included in the site manager ensures a secure remote access.



PREDICTIVE MAINTENANCE

The SIGMA solution offers predictive maintenance system ensuring on-time maintenance and replacement of parts due to wear and tear. In case parts needs changing, this can easily be sourced via SCITEQ online spare part shop with individual customer login. Furthermore, the included self diagnostic system enables fast and easy troubleshooting in case of irregularities.

RECIPES

Recipes are quickly set-up, saving time when starting up a new test (diameter) as well as repeating saved test parameters. Up to four different user-levels from Basic to Advanced, ensuring not only easy operation, but also offering simultaneous 'view-only' access for your interested partners and clients.

COMPATIBILITY

Test data from SIGMA is exported to an SQL database compatible with any server, enabling unlimited access and processing & use of the test data. SIGMA can seamlessly interact with your corporate systems, and is prepared for IoT and Industry 4.0 and OPC UA.

ONE INTERFACE FOR ALL TESTS

The SIGMA software applies for the entire range of SCITEQ test equipment. The fast and extremely easy-to-use interface accessible from pc, table and smartphone enables easy control and overview of your tests and click-less maneuvering as well as fast generation of reports tailored to your need.



SIGMA Hydrostatic Pressure Test



SIGMAlite pressure



Temperature cycling test TCA



Burst & High Capacity Pressure



Rapid Crack Propagation RCP



SIGMA Impact tester



Laboratory Pipe saw



Leak tightness Test LTT

SERVICE & SUPPORT

Our service offerings

Whether you are managing a large test layout or operating one test device, we are at your service in all aspects. And if you are looking for advice on how to get started testing, you can trust us to guide you.



Installation & Commissioning

Specialized SCITEQ technicians perform onsite installation and commissioning of your SCITEQ equipment as well as training of your operating personnel at different user levels.



Calibrations & updates

We take care of the annual calibration using internationally traceable instruments and we make sure your staff is updated. We support your new team members with extra training.



Training & operation

We offer on-site training of your operating personnel with focus on operation, maintenance and trouble-shooting. Training and operation manuals in your local language is naturally possible.



Service Packages

We offer several Service Packages suitable for all types of applications, from large test laboratories to smaller test departments. The list of benefits and discounts included in the Service Packages is tailored to fit your needs.



Support on-line & on-site

We offer on-line and on-site technical support for fast and effective troubleshooting and advice. Updating software is done online for your convenience, direct access via i.e. Team Viewer for highest level of urgent support.



Shop online

Need fast delivery of new parts for your equipment due to wear and tear or looking for new accessories or fittings. You can quickly find the part you need. Get you personal login the SCITEQ shop.

COMFORT THROUGH SERVICE & CARE

SCITEQ Care packages

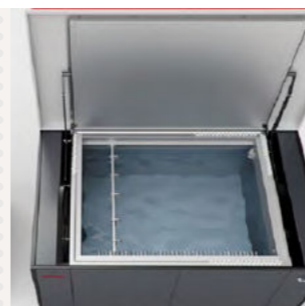
To make sure you get the best service and maintenance of your SCITEQ test setup, we have put together 3 Service Care Packages - Basic Care. More Care and All Care.

Our three Care packages are designed to fit your specific needs and wishes. You will find the level of service suitable for your application, whether you run a large test laboratory or smaller test-set-up. We guarantee that your test equipment is maintained to ensure a consistent level of functionality and accuracy.

“We specialize in sustainable solutions that adhere to the highest standards, utilizing premium materials to ensure longevity while minimizing environmental impact”.

SCITEQ PRIMARY PRODUCT RANGE

Pipe & fitting test equipment



ECO-line thermo tanks 0 – 95 C

With the ECO line thermo tanks you get accurate conditioning of any type of sample at temperatures from 0 to 95° degrees Celsius. Is available in 8 dimensions suitable for countless specimens. The innovative lid design of the SCITEQ thermo test tanks effectively minimizes energy consumption by significantly reducing heat loss.



SIGMA modular pressure test

For pressure testing plastic pipes and fittings in PE, PEX, PVC, PP, PB etc., glass fibre pipes, tubes and hoses. The system is a modular airless pressure testing system with unparalleled accuracy. Up to 50 pressure stations in one cabinet. ISO 1167, ASTM D1598 & D1599.



End closures without tie-bar

Model 1520 - With a track record showing product lifetime of more than 30 years the SCITEQ end closures are proven highly durable and cost-effective. In certified stainless steel. ISO 1167, ASTM D1598 & D1599.



SIGMAlite pressure test

The compact solution. The plug and play all-in-one pressure testing unit with integrated pressure pump and up to 5 independent airless pressure stations for testing at up to 100 bar/1450 psi. ISO 1167, ASTM D1598 & D1599.



End closures with tie-bar

Model 1530 - Certified stainless steel end closures with tie-bar. Tightens 100% to the pipe and is a highly durable solution with a proven lifetime of over 30 years. ISO 1167, ASTM D1598 & D1599.



SIGMA high pressure test

For pressure testing at high pressures up to 1500 bar/21.750 psi with a flow up to 8,5 l/min. with an unparalleled transmitter accuracy at 0,5%. For testing of pipe and fittings according to multiple international standards.



End closure – Air-frame for large diameters

Model 1525, Air-frame - Patented design offers easy assembly on larger pipe diameters from 315 to 1600mm – and larger at request. The end closures seal off the sample 100% tight. ISO 1167, ASTM D1598 & D1599.



SIGMA BurstONE

Compact cost-efficient unit dedicated for short term pressure test of pipes and fittings in compliance with ASTM D 1599 & ISO 1167. The unique software & intelligent dynamic regulation ensure the most stable and linear pressure regulation in the market.



SIGMA Impact tester

The impact tester is developed specifically for plastic pipe producers. The unique frictionless vacuum lifting enables for safe and precise testing of pipes up to Ø 2000 mm. ISO 3125, EN 744, EN 1411, ASTM D2444.



SIGMA thermo test tank

The compact design of the thermo tank reduces footprint to a minimum. The combination of efficient insulation, heating elements and circulation pumps ensures a consistent and uniform temperature is maintained.



Universal testing machines – UTM

The high-end SCITEQ Universal Testing Machines offers a wide range of test used in the plastics industry. The UTMs perform tensile, compression, and bending tests.



Thermal cycling system TCA

The SCITEQ thermal cycling tester offers high accuracy of pressure and flow, auto leak detection and long service life. Open loop series is mainly used to determine the leakage status of composite pipes and fittings when subjected to specified cycling times under specified internal pressure load.



Rapid Crack Propagation tester

The SCITEQ Rapid Crack Propagation Tester offers exceptional accuracy when testing plastic pipes. The unique drive, ensures stable, accurate and guaranteed speeds of up to 15,0 m/sec. ISO 13477.



Methylene chloride tester – MCT

The SCITEQ MCT Cabinet automatically performs each step of the Methylene Chloride test, while ensuring both optimal safety and valid results. Offering easy operation with colour touch screen control. ISO 580, B and ISO 9852.



Leak tightness tester – LTT

The SCITEQ Leak Tightness Tester seamlessly performs all steps of the test required by the EN1277 standard. The LTT is one of the markets most durable and robust solutions for testing joints of buried plastic pipe systems. ISO 13259, ISO 13254 and ASTM D-3212.



Burst & High Capacity Pressure Test – HCP

The SCITEQ high capacity burst & pressure test system (HCP) delivers the most linear burst pressure curve on the market, guaranteeing that you get accurate and valid data. ISO 1167, ASTM D1598 & D1599.



Wall thickness measurement gauge

The smart design of the SCITEQ Wall thickness Measurement gauge allows for fast and accurate 360° measurements of wall thickness and ovality of pipes.



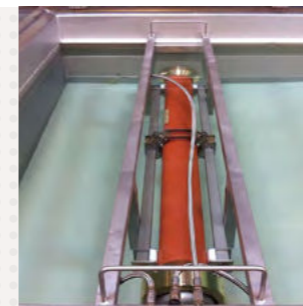
Glycerine test cabinet

The SCITEQ glycerine test cabinet is designed specifically to allow safe and easy heat reversion testing of plastic pipe samples. For longitudinal (heat) reversion testing of plastic pipe samples. EN 743, ISO 2505, ISO 2506, ISO 3478 and ISO 9852.



Box Loading Test System

The flexible SCITEQ box loader can perform two methods for testing pipes and fittings or joints for their resistance to deformation and leakage. ISO 13260.



Point load tester

The SCITEQ Point Load tester is used for determining the resistance to slow crack growth of polyethylene pipes with external point load. PAS 1075.

SCITEQ PRIMARY PRODUCT RANGE

Raw material testing



Bulk density apparatus

With the SCITEQ bulk density tester as well as a laboratory weight (optional) accurate to 0,1g it is possible to determine the apparent density i.e. the mass per unit of volume of loose material (powder or granulate). ASTM D1895, ISO R60.



Carbon black tester

For determination of carbon black content in olefin materials like polyethylene or polypropylene that do not contain non-volatile additives or fillers. ASTM S1603, ISO 18553, ISO 6964.



DSC OIT analyser

For determining OIT (Oxidation Induction Time) for polyolefin materials by means of the DSC (Differential Scanning Calorimetry). EN 728, ISO 11 357.



HDT Vicat tester

For determining the Vicat softening temperature and the heat deflection temperature under load on plastics and thermoplastics, available with 3 or 6 testing stations. ASTM D648, D1525, ISO 306 and ISO 75.



Melt flow indexer – MFI 450 Series

The user-friendly MFI combines high accuracy and precision essential for quality control and R&D. Easy operation with colour touch screen control for fully automatic testing. ISO 4427, BS 2782, ASTM 1238 and ISO 1133.

SCITEQ PRIMARY PRODUCT RANGE

Preparation equipment



Laboratory Pipe Saw

The SCITEQ lab saw is specially designed for laboratory preparation of pipe samples for dimensions from Ø 32 mm up to 800 mm and larger on request. Cutting and chamfering in one go.



End closure mounting / de-mounting machine

The SCITEQ End Closure Mounting machine optimizes the preparation of large pipe samples – saving time and cost on mounting and de-mounting end closures.



SCITEQ thermo test tanks 0-95 C

With the SCITEQ thermo tanks you get accurate conditioning of any type of sample at temperatures from 0 to 95° degrees Celsius. The SCITEQ Thermo Tank is available in many dimensions suitable for countless configurations.



Axial notch milling machine

The SCITEQ axial notching milling machine with a precision second to none. For preparing pipe samples for the notched stress crack resistance test at a specified temperature.



CNC copy milling machine

For preparing plastic pipe samples (sometimes referred to as “dumbbell” specimens or “dogbone” specimens) for e.g. tensile tests and other kinds of elongation tests.



Laboratory heating oven

Ovens from SCITEQ are state-of-art with fast and accurate temperature control and temperature recovery. Two design series including various models and a large range of sizes/volumes according to customer needs.



Laboratory freezer The SCITEQ laboratory freezers cost-effective operation is ensured due to low energy consumption. A large range of sizes/volumes for every need.



Conditioning and cooling chamber

SCITEQ conditioning chamber is capable of cooling samples up to very large dimensions with a temperature range from room temperature down to -25 degrees C.



Parallel scratchier

SCITEQ's high accuracy parallel scratchier is for marking pipes around the circumference before carrying out longitudinal (heat) reversion tests. Both a table model and a portable model available.



Laboratory granulator

For convenient preparation of samples for MFI test and similar small granulating jobs.



FINANCING & LEASING

Financing with SCITEQ

■ We help our customers finance the solution

We consider financing an integrated part of being a solution provider. This kind of financing is typically relevant in negotiation on large projects. In case of minor projects involving single or few item products normal commercial terms are agreed upon.

■ EKF – an example from the real world

We can assist in finding the best solution on payment transactions for our customers on larger projects. By means of the organisation EKF which is Denmark's official export credit agency, we are able to make it possible and attractive for our customers abroad to buy products and services from Denmark.



FINANCING & LEASING

Leasing with SCITEQ

With a SCITEQ leasing solution you gain access to our newest high quality test equipment, as well as annual service, access to SCITEQ hotline and free software updates when applicable, without the usual investment requirements. At the end of the leasing period you can either purchase the equipment at residual value, or chose to exchange the equipment to brand new, latest generation equipment, delivered and installed on a new leasing agreement. We will handle the whole process

Experts in
Pipe Testing.
We have delivered
accurate and
reliable test results
since 1966.

