

function

The SCITEQ CNC (computer-controlled) milling machine is ideal for preparing plastic pipe samples ('dumbbell' or 'dog bone' specimens) for e.g. tensile tests and other kinds of elongation tests. The CNC miller is supplied with pipe samples templates according to ISO 6259 types 1, 2 and 3. Other types on request.

highlights

simple set-up

robust construction

high precision milling

computer controlled

simple to operate

easy maintenance

version 08/2017

features

We offer two models; 4U and 2U. Three axes (X, Y, Z) are available. The working area on the large model, 4U is 600 x 420 mm and on 2U it is 310 x 220 mm. The miller can prepare pipe samples with a wall thickness up to 120 mm. A CNC controller (plug and play) is part of the delivery and by means of software to be installed on a PC (PC not included), milling is performed. Further, software for engraving, cutting and drilling is included but not pre-programmed.



We wish to give our partners the tools to produce to the highest standard, while helping them to produce as cost-effectively as possible with Q.C. tools throughout the factory.

construction

The milling machine consists of a base frame with a linear movement milling top.

The spindle is equipped with a nozzle and pipe to remove the milling swarf/chips from the table. The CNC miller is supplied with pipe samples templates according to ISO 6259 types 1, 2 and 3. Other types on request.

A protection hood shields the operator and electromagnetic sensors ensure that the machine cannot be operated while the hood is open.

The system can be supplied with a vacuum device which removes the soft milling swarf into a storage bag. This can be retro-fitted if so desired.



Milling tool

associated | equipment

▲ | essential equipment

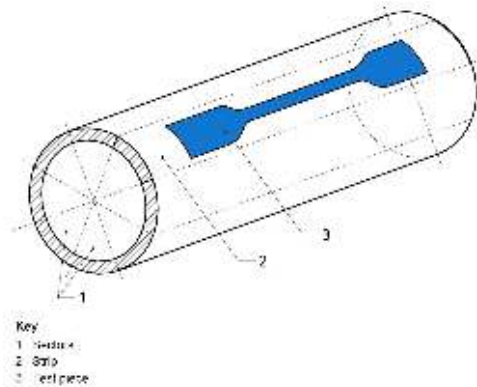
sample templates

exhaust device

technical specifications

Model 2U (item no. 8005101)

- material to be milled:** any plastics or composite material
- sample thickness:** wall thickness up to 50 mm
- travel range:** X:310 mm, Y:220 mm, Z:160 mm
- accessories:** Exhaust device and storage bag for removing soft milling swarf/chips.
Additional pipe sample templates. Other test standards besides ISO 6259.
PC for milling software
- ambient temperature:** 16-40 degrees C (low humidity)
- electrical supply:** 230V, 50 Hz
- dimensions:** D985xW620xH950mm
- weight:** 81 KG



The SCITEQ CNC miller prepares samples according to international standards such as ISO 6259. Other standards on request.

Model 4U (item no. 8005100)

- material to be milled:** any plastics or composite material
- sample thickness:** wall thickness up to 120 mm
- travel range:** X: 600mm, Y: 420mm, Z: 280mm
- accessories:** Exhaust device and storage bag for removing soft milling swarf/chips.
Additional pipe sample templates—other test standards besides ISO 6259.
PC for milling software
- ambient temperature:** 16-40 degrees C (low humidity)
- electrical supply:** 3 x 400V + N + PE, 50Hz 10amp
- dimensions:** D1310xW985xh1070mm
- weight:** 170 kg



Model 4U



Model 2U

SCITEQ A/S

Gamma 3
DK-8382 Hinnerup
Denmark
Tel: +45 86 96 19 33
Fax: +45 86 96 24 75
www.sciteq.com
sales(at)sciteq.com