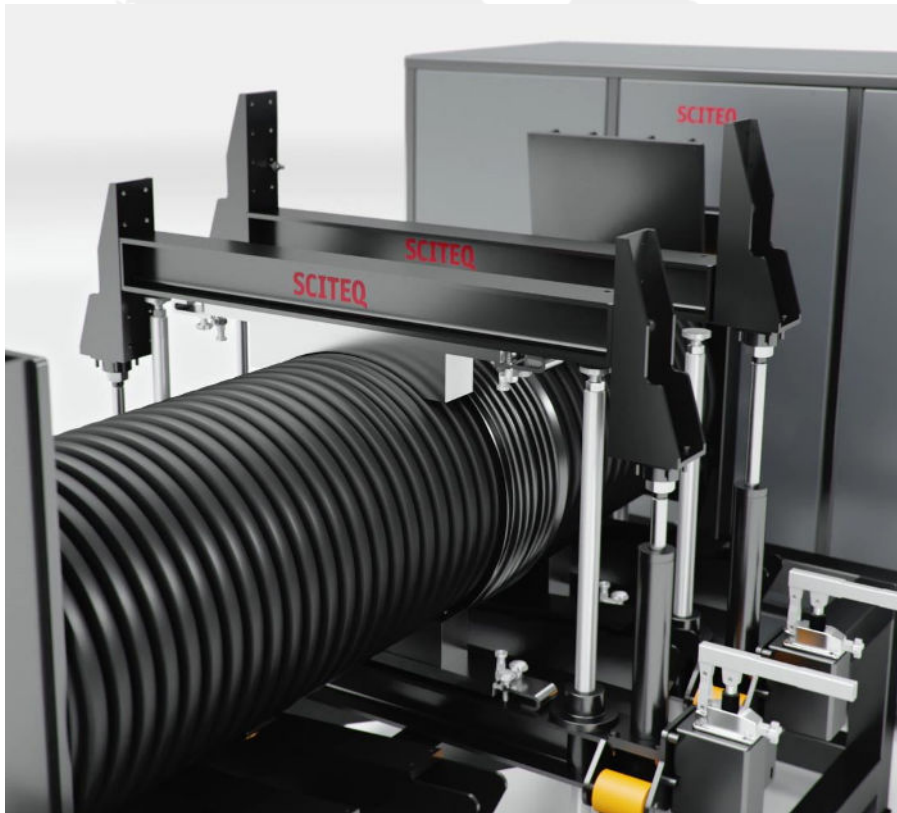


# SCITEQ Leak Tightness Tester



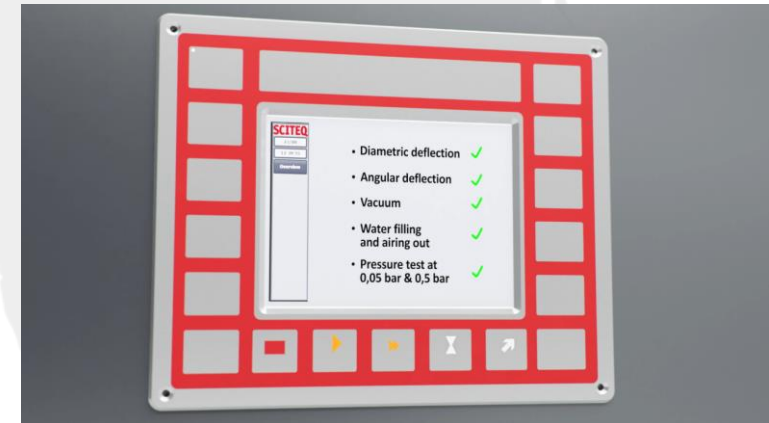
We help you perform even better



### Construction

The SCITEQ Leak Tightness Tester is one of the markets most durable and robust solutions for testing joints of buried plastic pipe systems according to ISO EN 13259 standard.

The smart design of the LTT allows for fast adjustment and preparation of both corrugated and smooth wall pipes of up to diameter of 1600 mm.



### Scope

The SCITEQ Leak Tightness Tester seamlessly performs all steps of the test required by the ISO EN 13259 standard.

After diametric deflection is done, the automatic test-sequence starts with the pipe and joint being exposed to angular deflection.

## Highlights

- ✓ Robust construction
- ✓ High accuracy
- ✓ Suitable for up to  $\text{Ø}1600$  mm pipes or larger on request
- ✓ Data logging
- ✓ Floating pipe during testing
- ✓ Extremely durable design

## Standards

The SCITEQ Leak Tightness tester enables you to test according to the standard ISO EN 13259.

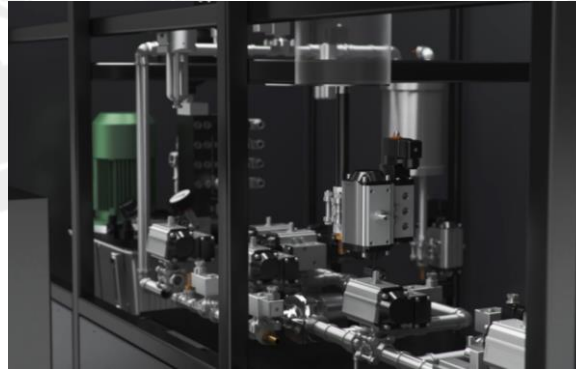
Please contact us at [sales@sciteq.com](mailto:sales@sciteq.com) for further information on the test procedure and please refer to technical specifications in this brochure or contact SCITEQ A/S for more information.





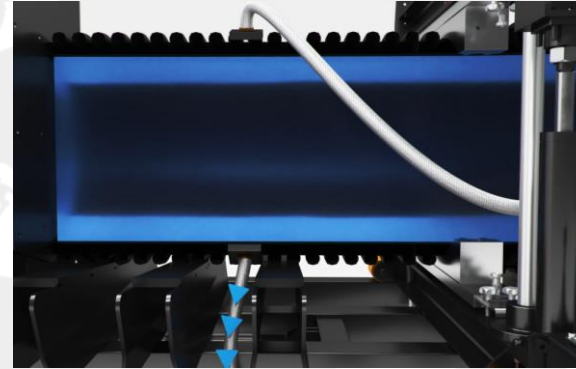
## Angular deflection up to 5°

The automatic deflection system and floating beams ensures a 100% correct diametric- and angular deflection of the pipe up to 5°. After diametric deflection is done, the automatic test-sequence starts with the pipe and joint being exposed to angular deflection.



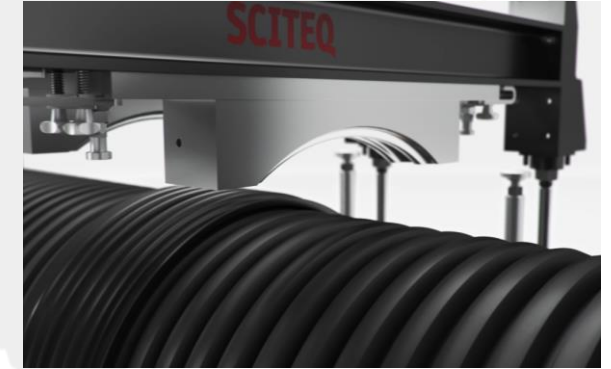
## Technical cabinet

Water pressure and vacuum is supplied by the technical cabinet built of high quality components. The sample is filled with water is exposed to two steps of internal hydrostatic pressure. Vacuum loss detection under 5% as well as pressure loss detection under 10% .



## Water supply & drainage

The automatic water supply system also includes a bleed function that maintains pressure below maximum test pressure while the sample is filled. Furthermore, the built-in drainage system means that you easily and quickly can repeat tests.



## Customized accessories

The compression clamps used for the test, are custom designed to fit the specific pipe structure, for both corrugated and smooth wall pipes.

## Dimensions

SCITEQ LTT 630 consists of the Test frame and the technical cabinet. Dimensions are:

Test frame external dimensions:  
L3800 x W1500 x H2010 mm  
Weight from 1120 kg.

Cabinet external dimensions:  
L2330 x W1080 x H2010 mm  
Weight from 460 kg.





## Clamps and plugs

Each set of clamps is custom-made to a particular socket pipe and spigot pipe configuration and dimension. One set of clamps consists of four (4) pieces - two pieces for the socket and two pieces for the spigot pipe.



## Pipe plugs and balloons

The LTT pneumatic pipe plugs - pipe balloon plugs for sealing of pipe the sample are supplied in sets (2 pieces).



	Leak Tightness Tester_630
Standard pipe dimension range [mm] Three standard versions available:	DN90 – 900 Add on for up to DN1200
Maximum sample length [mm]	2850
Main frame dimensions (L x W x H) [mm]	3800 x 1500 x 2010
Main frame weight [kg]	Approx: 1120
Pressure control cabinet dimensions (L x W x H) [mm]	2330 x 1080 x 2010
Pressure control cabinet weight [kg]	Approx: 460
Maximum vacuum pressure [bar]	-0,4 bar
Accuracy during vacuum [bar]	+/- 0,001
Maximum positive pressure [bar]	1 bar
Accuracy during positive pressure [bar]	+/- 0,005
Double diametric deflection (Floating)**	√
Maximum diametric deflection force	Approx. 55 KN
Automatic angular deflection	√
Maximum and accuracy of angular deflection	Approx. 5° (-0,0°/+0,2°)
Horizontal hydraulic assemble press	√

\*Machine can be customized for other pipe dimension range –please contact SCITEQ for additional info.

\*\*The diametric deflection is kept during angular deflection and is designed so the compression system will have a minimum weight impact on the sample.

	Leak Tightness Tester_630
Automatic water filling function	√
Automatic water drainage function	√
Drainage time	Approx. 25 min. for DN630
Storage temperature [°C]	From -30° up to 50° C
Complied standards	ISO 13259, ISO 13254, ASTM D-3212 and equivalent





## Installation & training

SCITEQ's trained service technicians perform onsite installation of your new SCITEQ equipment as well as onsite or remote training of your operating personnel who will be using the equipment.



## SCITEQ Care

You will find the level of service suitable for your test setup with SCITEQ Care. SCITEQ service engineers will visit you annually to perform the best service and calibration. With SCITEQ Basic, More or All Care package you gain access to a long list of advantages, discounts and free support from SCITEQ skilled technician. [Learn more about SCITEQ Care](#)



## Support online & on-site

SCITEQ offers online and on-site support on all SCITEQ products, for fast and effective problem solving, training, setup, etc. If you have an unforeseen challenge or you need advise asap, you can contact [service@sciteq.com](mailto:service@sciteq.com) or call us for urgent support.